

Marshall

STOCKWELL II - PORTABLE STEREO LOUDSPEAKER

USER MANUAL

LEGAL & TRADEMARK NOTICE

- Design of device and packaging are intellectual properties of Zound Industries International AB and Marshall Amplification Plc. © All Rights Reserved. Zound Industries International AB is hereinafter referred to as “Zound Industries” or “manufacturer”.
- MARSHALL, Marshall Amps, their respective logos, “Marshall” and “Marshall” trade dress are trademarks and intellectual property of Marshall Amplification Plc and may not be used without permission. Permission granted to Zound Industries.
- Qualcomm aptX is a product of Qualcomm Technologies International, Ltd. Qualcomm is a trademark of Qualcomm Incorporated, registered in the United States and other countries, used with permission. aptX is a trademark of Qualcomm Technologies International, Ltd., registered in the United States and other countries, used with permission.
- The Bluetooth® wordmark and logos are registered trademarks owned by the Bluetooth SIG, Inc. and any use of such marks by Zound Industries is under license.
- All other trademarks are the property of their respective owners and may not be used without permission.
- For more legal information related to this product and to its use in your specific region, and for more detailed information about Zound Industries and partner & license information, please visit the website: www.marshallheadphones.com. The user is recommended to visit the website regularly for up-to-date information.

Zound Industries International AB, Centralplan 15, 111 20 Stockholm, Sweden

DISCLAIMER

For use with mobile devices using 3.5 mm jack unprotected two-way standard.

Stated play time is calculated using random selection of music, played at medium volume.

The information contained herein is correct at the time of publication, with reservation for editorial errors. Compatibility with future versions of this product is not guaranteed.

INDEX

ENGLISH

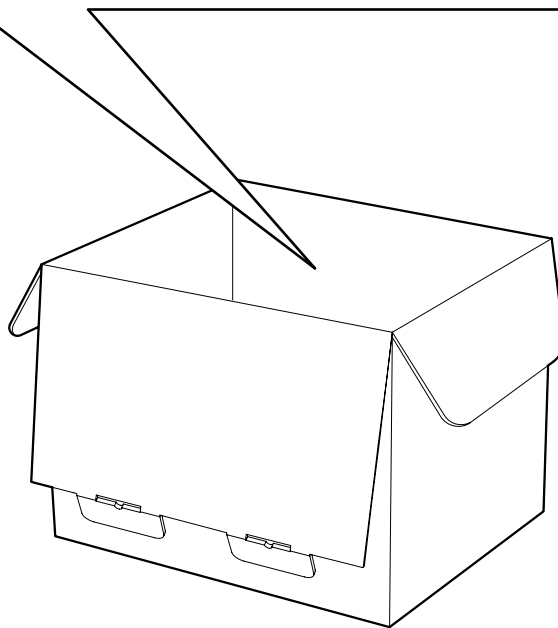
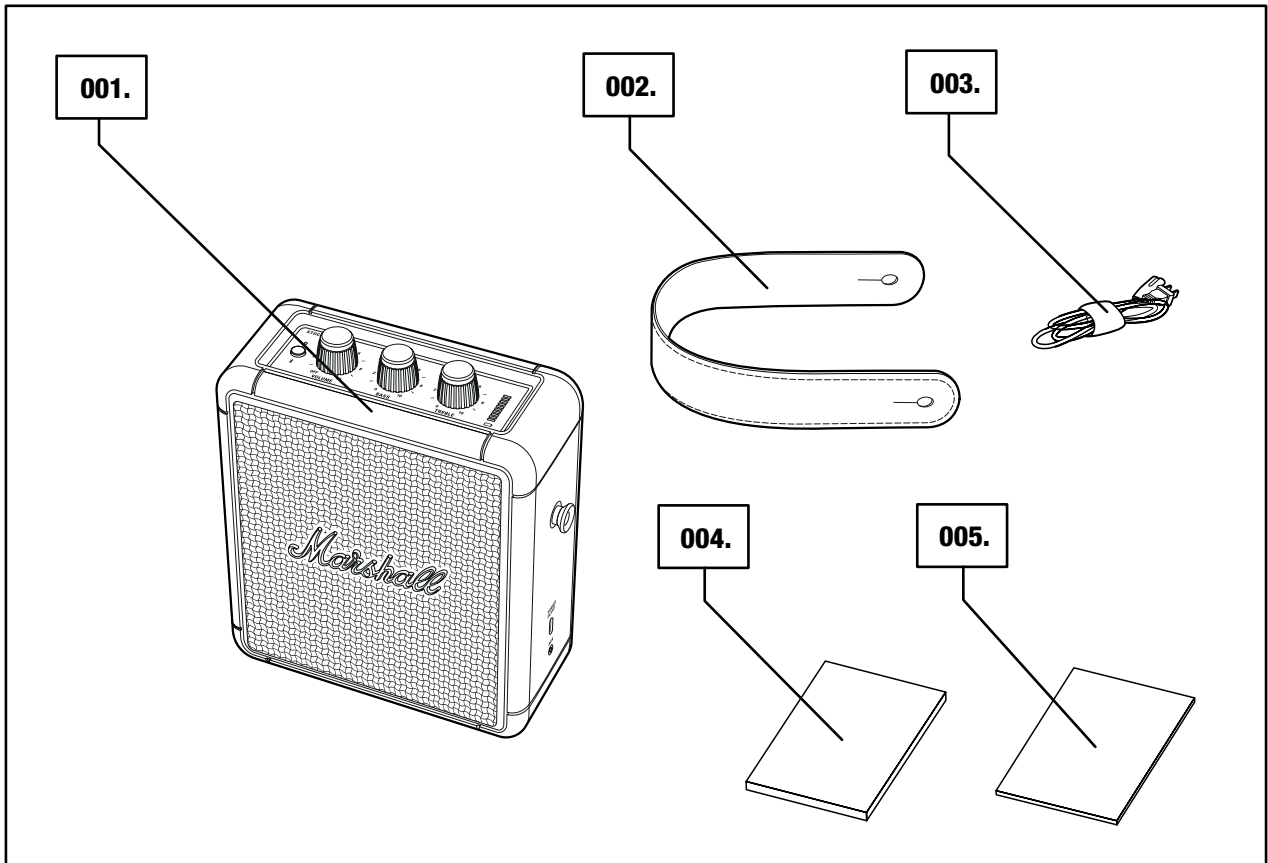
SECTIONS

PAGE

- 002. LEGAL & TRADEMARK NOTICE**
- 002. DISCLAIMER**
- 004. BOX CONTENTS**
- 005. GENERAL DESCRIPTION**
- 007. ATTACHING THE CARRY STRAP**
- 008. CHARGING THE INTERNAL BATTERY**
- 009. TURNING THE STOCKWELL II ON/OFF**
- 010. CONNECTION ALTERNATIVES**
- 011. CONNECTING VIA Bluetooth (PAIRING)**
- 012. CONNECTING VIA AUX INPUT**
- 013. CHOOSING AN AUDIO SOURCE**
- 014. ADJUSTING THE VOLUME/BASS/TREBLE**
- 015. STANDBY MODE**
- 016. CHARGING A DEVICE FROM THE SPEAKER**
- 017. PERFORMING A FACTORY RESET**
- 018. TECHNICAL INFORMATION**
- 019. TROUBLESHOOTING**

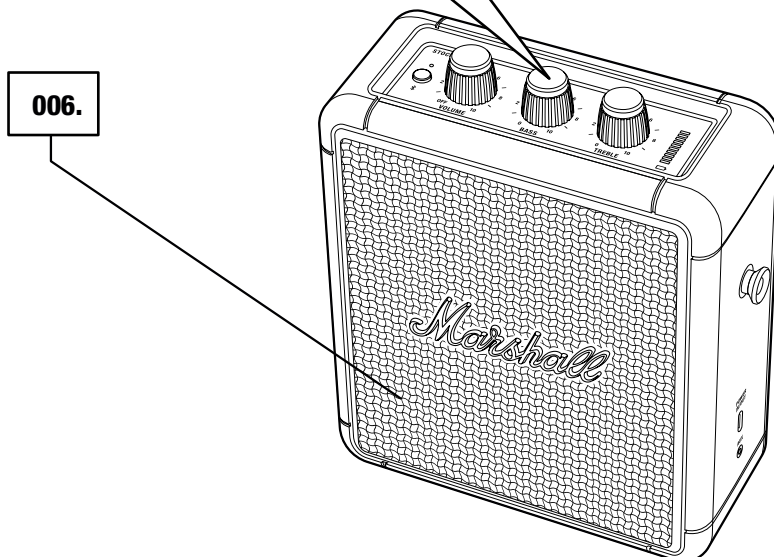
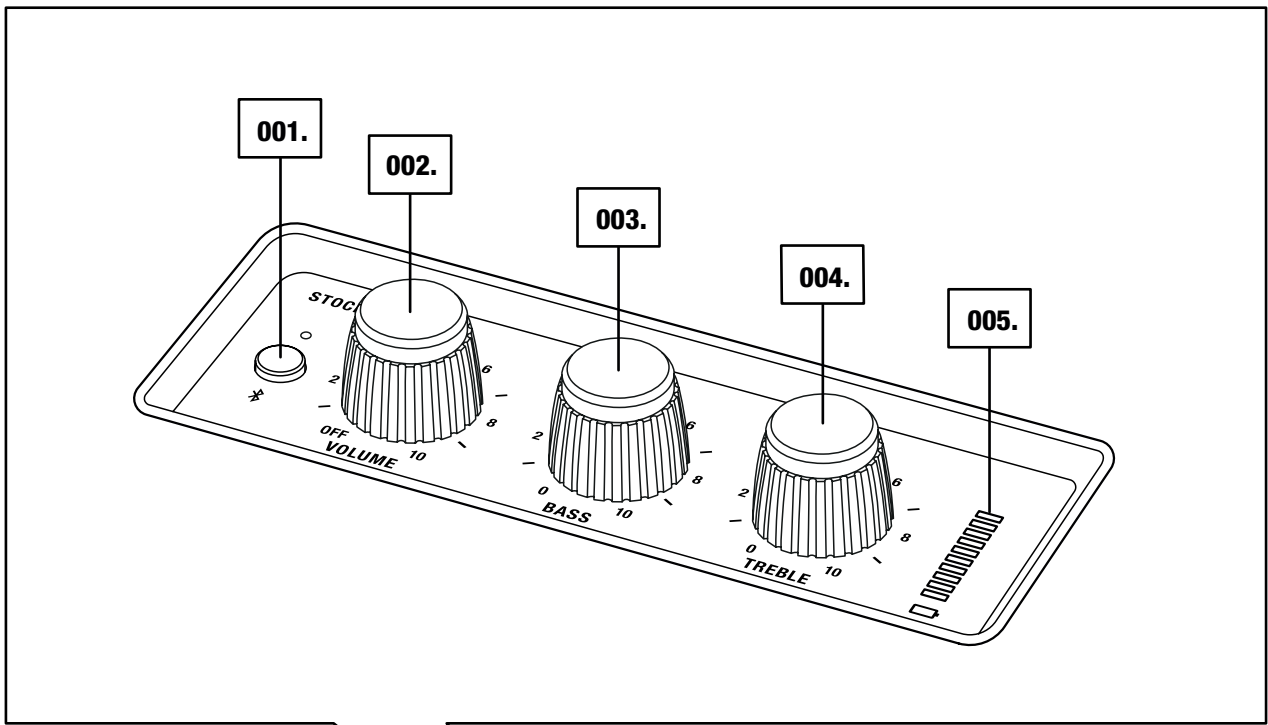
BOX CONTENTS

- 001. MARSHALL STOCKWELL II PORTABLE STEREO LOUDSPEAKER**
- 002. DETACHABLE CARRY STRAP**
- 003. USB-C POWER LEAD**
- 004. QUICK START GUIDE**
- 005. IMPORTANT SAFETY INSTRUCTIONS**



GENERAL DESCRIPTION

- 001. Bluetooth® BUTTON
- 002. POWER/VOLUME KNOB
- 003. BASS KNOB
- 004. TREBLE KNOB
- 005. BATTERY LEVEL INDICATOR
- 006. FRONT DRIVER



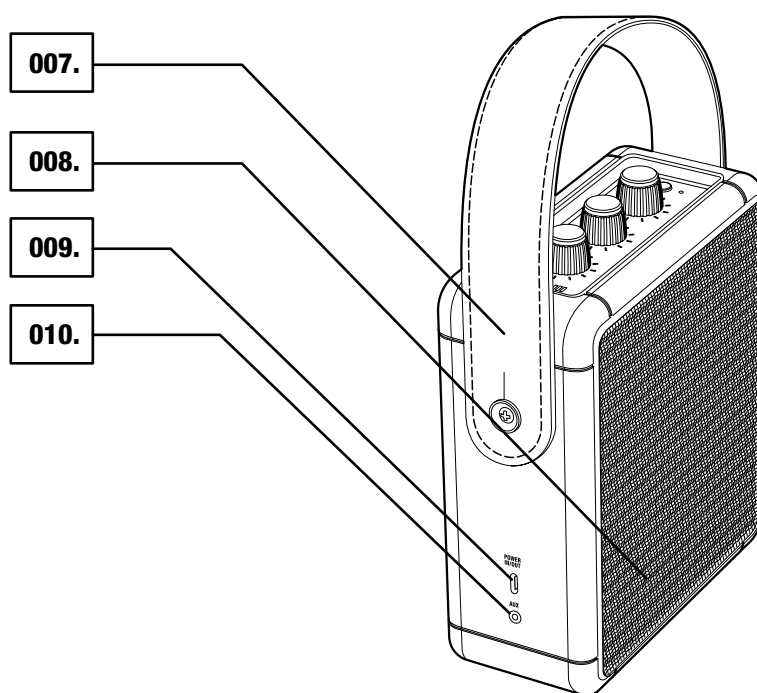
GENERAL DESCRIPTION CONTINUED

007. CARRY STRAP

008. REAR DRIVER

009. USB-C POWER INPUT/OUTPUT CONNECTOR

010. AUX INPUT FOR 3.5 mm JACK



006.

Marshall

ATTACHING THE CARRY STRAP

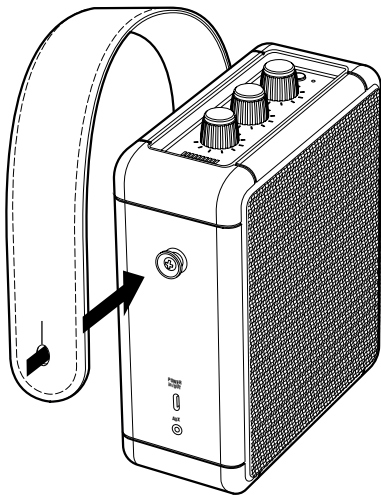
THE STOCKWELL II FEATURES A DETACHABLE CARRY STRAP FOR EASY PORTABILITY.

001. POSITION THE HOLE IN THE CARRY STRAP OVER THE PIN ON THE SIDE OF THE SPEAKER.

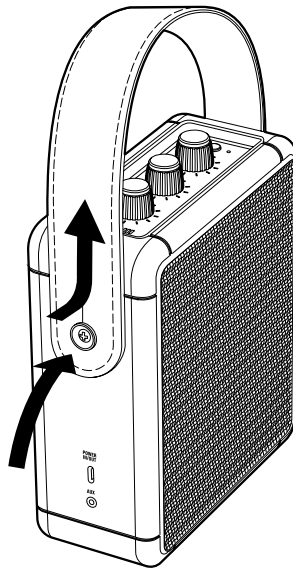
002. GENTLY WORK THE STRAP AROUND THE PIN UNTIL IT IS FASTENED INTO POSITION.

003. REPEAT THE PROCEDURE ON THE OPPOSITE SIDE OF THE SPEAKER.

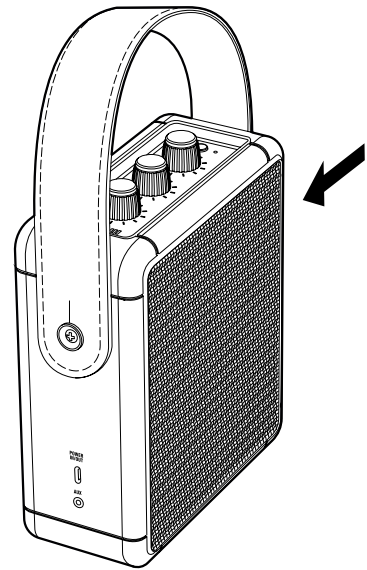
001.



002.



003.



NOTE: ENSURE THAT THE CARRY STRAP IS SECURELY FASTENED ON BOTH SIDES BEFORE USE.

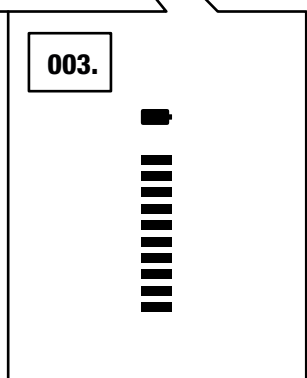
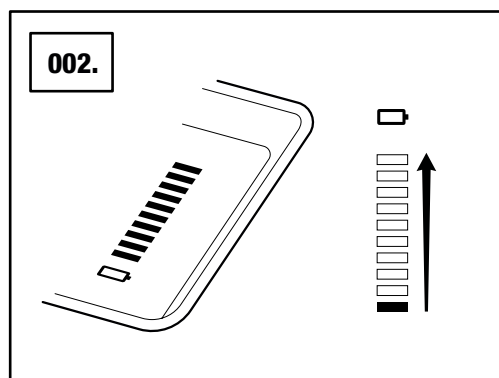
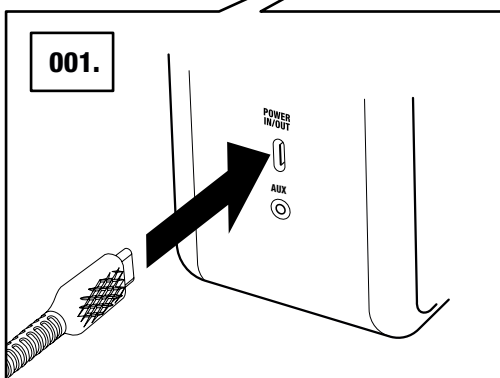
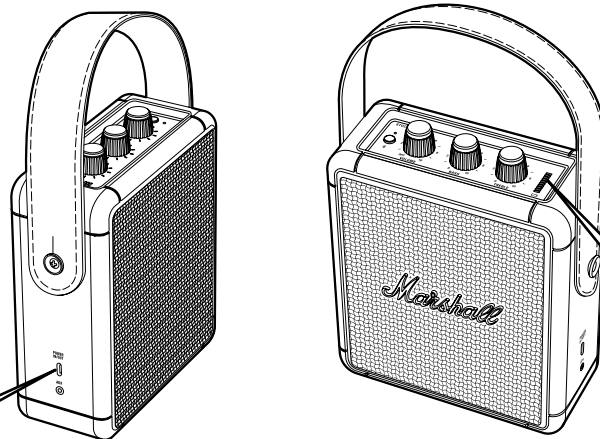
CHARGING THE INTERNAL BATTERY

STOCKWELL II IS EQUIPPED WITH AN INTERNAL BATTERY, CAPABLE OF MORE THAN 20 HOURS OF PLAYTIME AT MID VOLUME. FOR OPTIMISED CHARGING, USE A 12 V, 3 A ADAPTER (NOT INCLUDED). THE STOCKWELL II WILL CONTINUE CHARGING WHEN TURNED OFF OR IN STANDBY MODE.

001. CONNECT THE USB LEAD TO THE USB-C CONNECTOR ON THE SIDE OF OF THE SPEAKER AND THE OTHER END TO A USB POWER SOURCE.
002. THE BARS ON THE BATTERY LEVEL INDICATOR WILL DISPLAY A RISING ANIMATION DURING CHARGING.
003. THE BATTERY IS FULLY CHARGED WHEN THE ANIMATION STOPS AND ALL THE BARS REMAIN LIT.



NOTE: THE INDICATOR IS DIMMED DURING NORMAL OPERATION TO SAVE BATTERY POWER . TURNING ANY KNOB WILL MAKE THE INDICATOR LIGHT UP.



TURNING THE STOCKWELL II ON/OFF

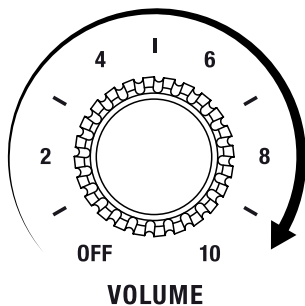
THE VOLUME CONTROL ALSO TURNS THE STOCKWELL II ON AND OFF.

001. TURN THE VOLUME KNOB CLOCKWISE TO THE DESIRED VOLUME AND THE SPEAKER TURNS ON.
002. THE BATTERY LEVEL INDICATOR SHOWS THE BATTERY CHARGE.
003. TO TURN THE SPEAKER OFF, TURN THE VOLUME KNOB FULLY COUNTER-CLOCKWISE UNTIL YOU HEAR A CLICK. ALL INDICATORS TURN OFF.

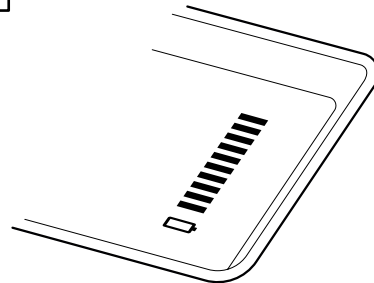


CAUTION: MAKE SURE THE VOLUME IS SET TO LOW ON BOTH THE SPEAKER AND THE AUDIO SOURCE BEFORE USING THE SPEAKER.

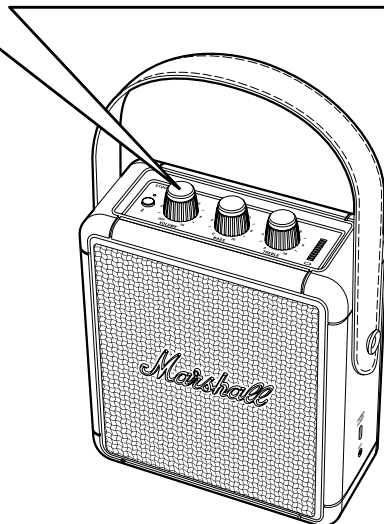
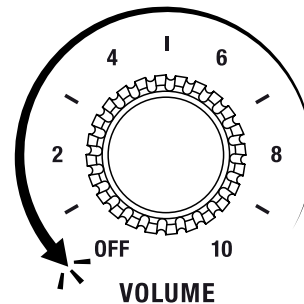
001.



002.

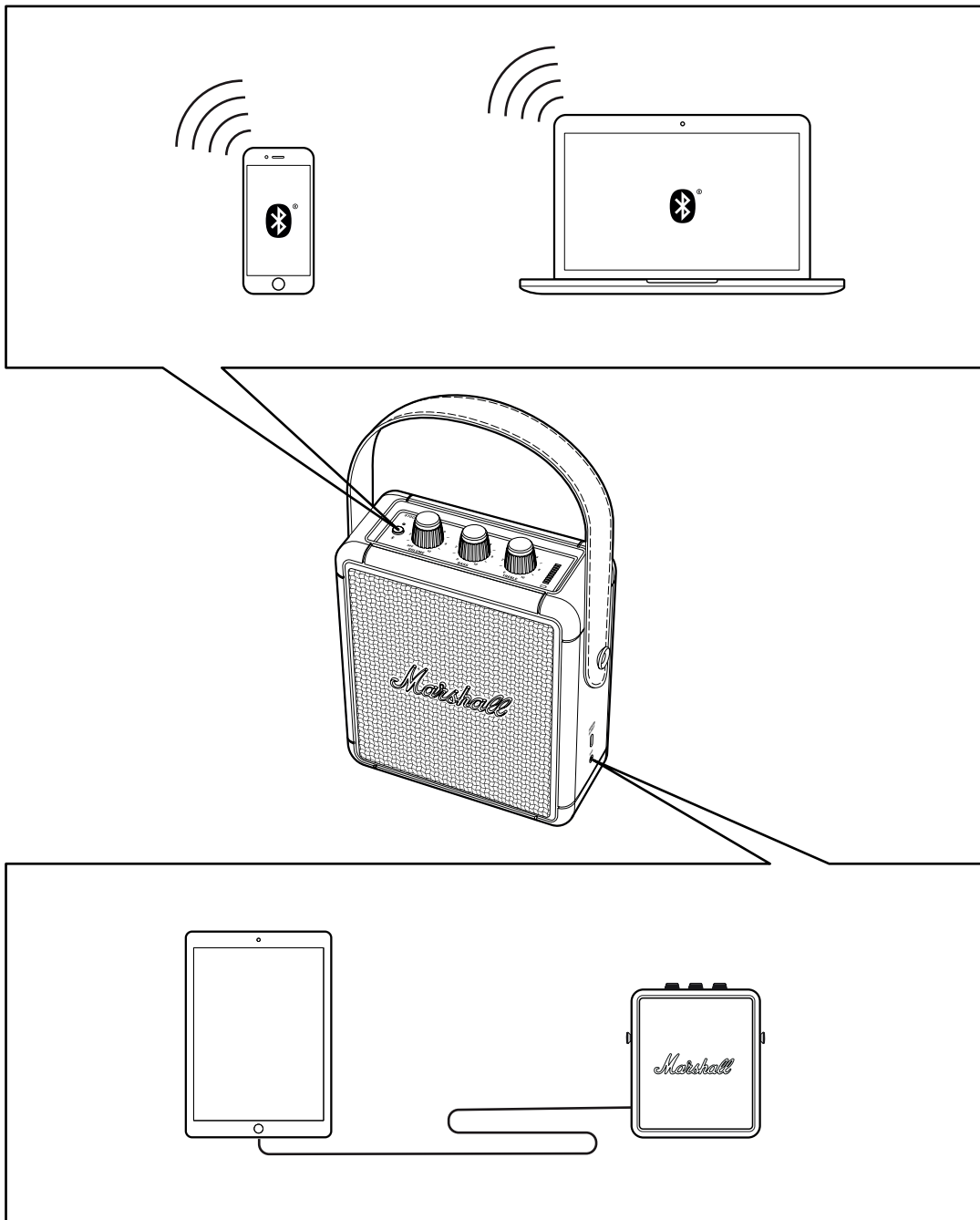


003.



CONNECTION ALTERNATIVES

YOU CAN CONNECT UP TO THREE AUDIO SOURCES TO THE STOCKWELL II SIMULTANEOUSLY, UP TO TWO BLUETOOTH DEVICES AND ONE AUX DEVICE. THE STOCKWELL II DETECTS WHEN A CONNECTED AUDIO DEVICE STARTS PLAYING, AND MAKES IT THE SELECTED INPUT SOURCE.

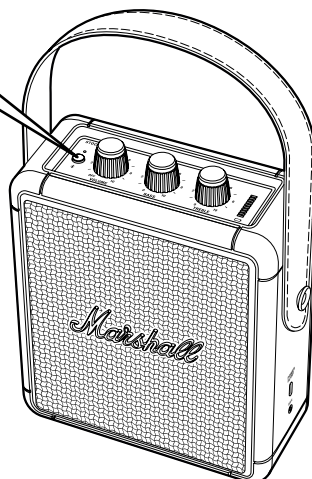
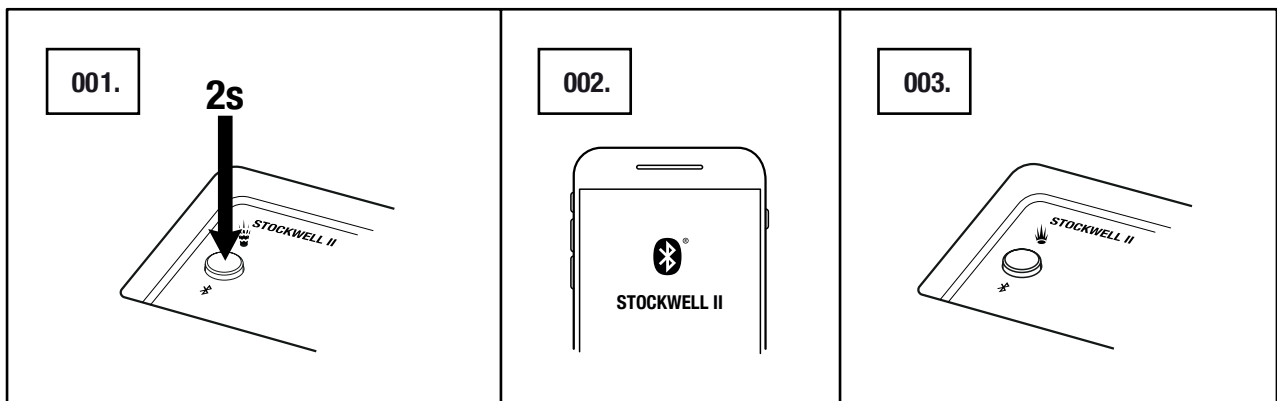


CONNECTING VIA Bluetooth (PAIRING)

THE STOCKWELL II CAN BE CONNECTED TO TWO Bluetooth DEVICES AT THE SAME TIME. WHEN TWO Bluetooth DEVICES ARE CONNECTED, PLAYING ONE WILL PAUSE THE OTHER.

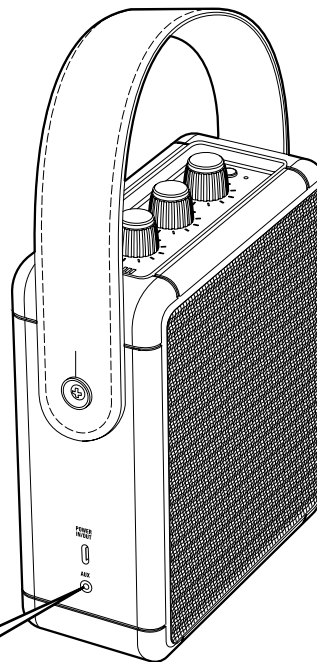
001. PUSH AND HOLD THE Bluetooth BUTTON FOR 2 SECONDS, UNTIL THE Bluetooth INDICATOR STARTS TO BLINK.
002. WITH Bluetooth ENABLED ON YOUR DEVICE (SMARTPHONE, TABLET, COMPUTER), SELECT **STOCKWELL II** FROM THE Bluetooth LIST AND ACCEPT PAIRING.
003. THE Bluetooth INDICATOR ON THE SPEAKER STOPS BLINKING AND REMAINS LIT WHEN THE UNITS ARE CONNECTED
004. PRESS PLAY ON YOUR AUDIO DEVICE.


THE STOCKWELL II WILL REMEMBER THE LAST 8 PAIRED Bluetooth DEVICES. WHEN MULTIPLE PAIRED DEVICES ARE IN RANGE, THE SPEAKER WILL ATTEMPT TO CONNECT TO THEM IN THE ORDER THEY WERE MOST RECENTLY USED, UNTIL TWO DEVICES ARE CONNECTED.

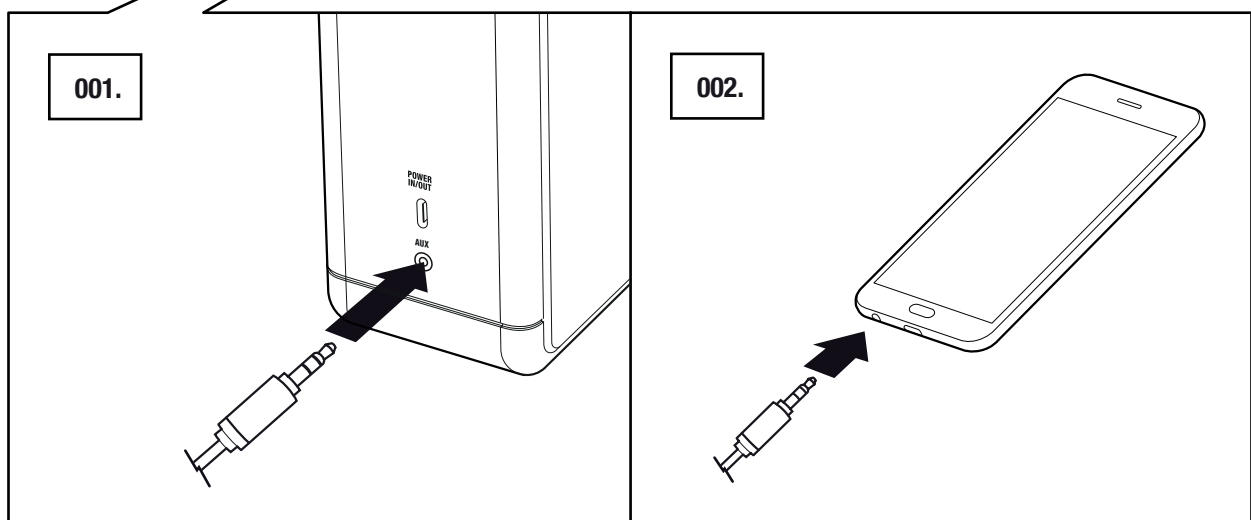


CONNECTING VIA AUX INPUT

001. CONNECT A 3.5 mm STEREO JACK TO THE INPUT LABELLED **AUX** ON THE SIDE OF THE SPEAKER.
002. CONNECT THE OTHER END OF THE LEAD TO THE AUDIO OUTPUT ON YOUR AUDIO DEVICE.
003. PRESS PLAY ON YOUR AUDIO DEVICE.

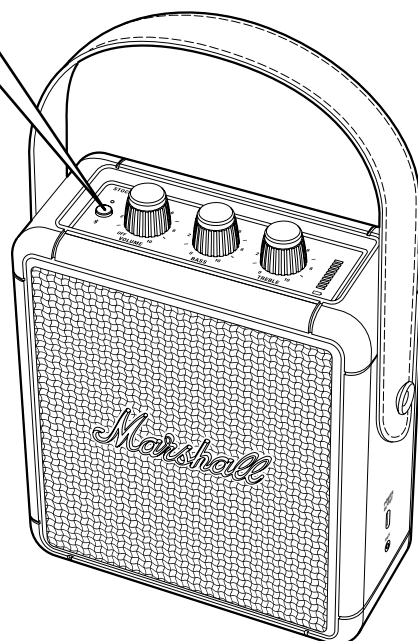
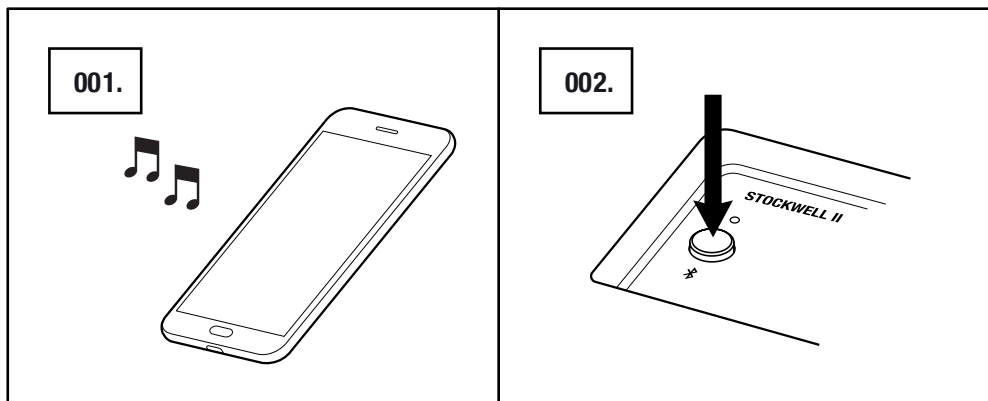


 NOTE: AUDIO CABLES ARE NOT INCLUDED WITH THE STOCKWELL II.



CHOOSING AN AUDIO SOURCE

- 001. PRESS PLAY ON ANY CONNECTED DEVICE TO MAKE IT THE SELECTED AUDIO SOURCE. IF ANOTHER Bluetooth DEVICE IS ALREADY PLAYING, IT WILL PAUSE AUTOMATICALLY.**
- 002. PUSHING THE Bluetooth BUTTON ALSO TOGGLES BETWEEN CONNECTED DEVICES.**



013.

Marshall

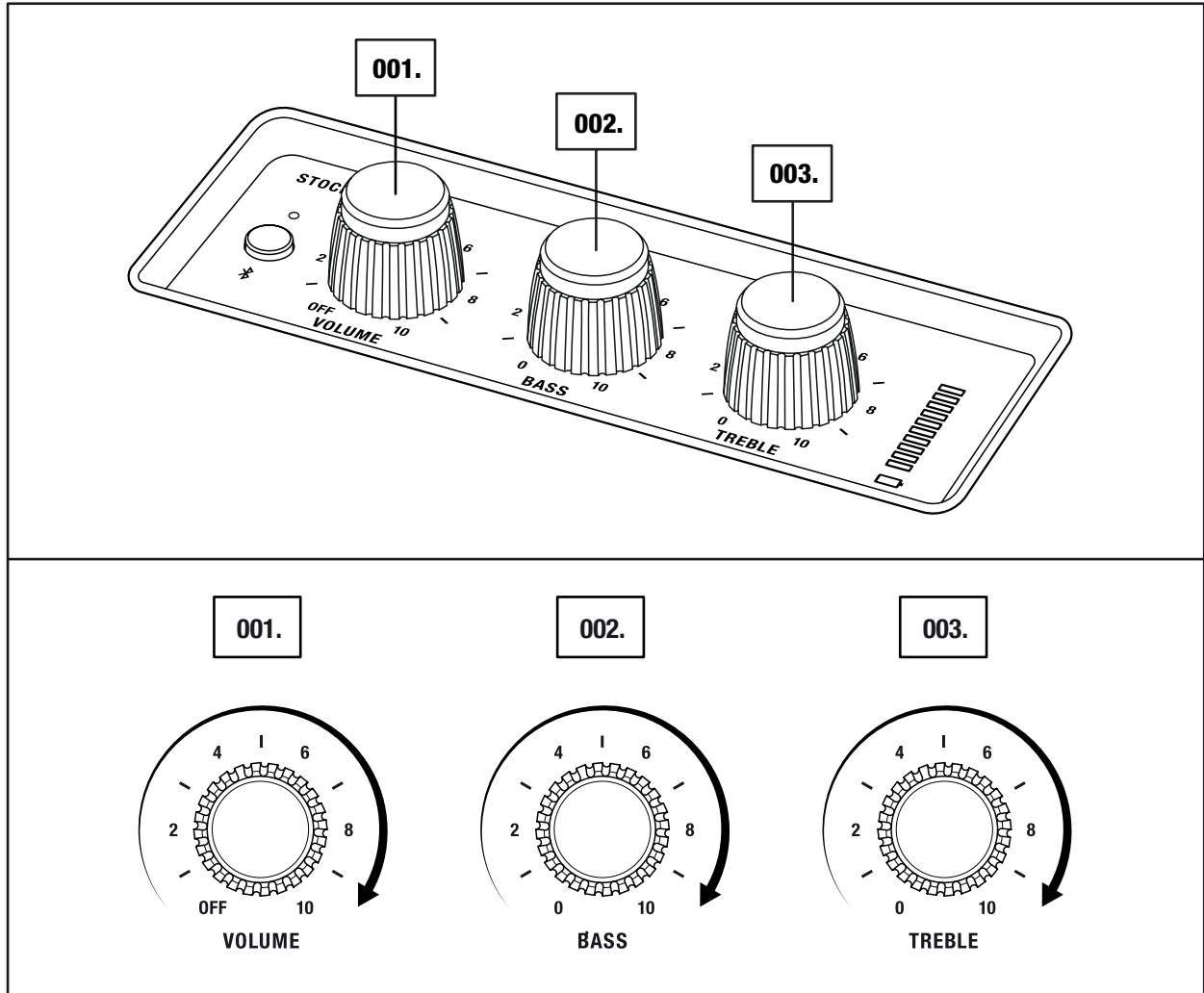
ADJUSTING THE VOLUME/BASS/TREBLE

THE STOCKWELL II INCLUDES THREE KNOBS FOR ADJUSTING THE AUDIO.

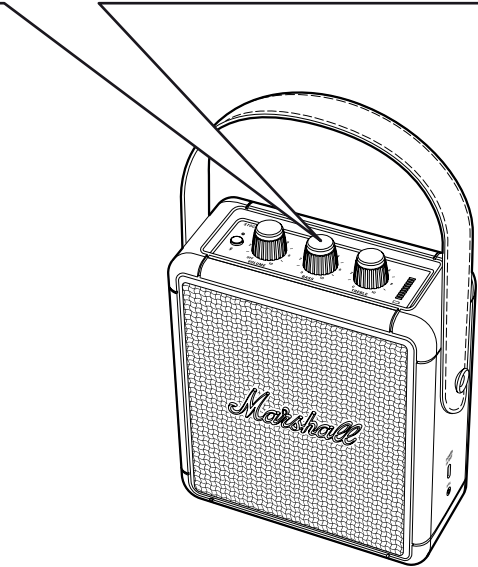
001. VOLUME KNOB

002. BASS KNOB

003. TREBLE KNOB



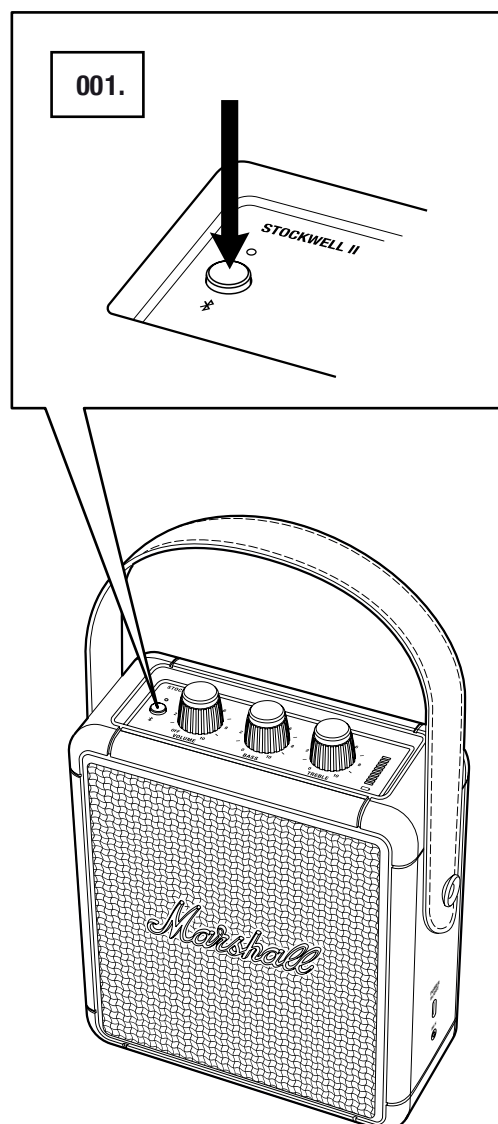
 NOTE: THE VOLUME KNOB IS ALSO THE ON/OFF SWITCH.



STANDBY MODE

IF THE STOCKWELL II IS LEFT UNUSED FOR 10 MINUTES, THE SPEAKER ENTERS STANDBY MODE TO SAVE BATTERY CHARGE. IN STANDBY MODE ALL BATTERY INDICATORS ARE OFF AND THE SPEAKER NO LONGER RESPONDS TO INPUT FROM ATTACHED DEVICES.

001. QUICKLY PUSH THE Bluetooth BUTTON TO WAKE THE STOCKWELL II FROM STANDBY MODE.



CHARGING A DEVICE FROM THE SPEAKER

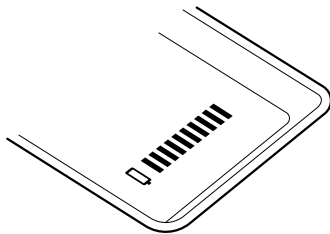
YOU CAN USE THE USB-C INPUT ON THE SIDE OF THE STOCKWELL II TO CHARGE YOUR PHONE, TABLET OR OTHER COMPATIBLE DEVICE. A LEAD WITH USB-C CONNECTOR AND A SUITABLE CONNECTOR FOR YOUR DEVICE IS REQUIRED (NOT INCLUDED). THE STOCKWELL II MUST BE TURNED ON AND HAVE A BATTERY CHARGE OF MORE THAN 2 BARS TO CHARGE AN EXTERNAL DEVICE.

001. ENSURE THAT THE SPEAKER BATTERY IS CARRYING A CHARGE.
002. CONNECT THE USB-C END OF THE LEAD TO THE SPEAKER.
003. CONNECT THE OTHER END TO YOUR DEVICE.

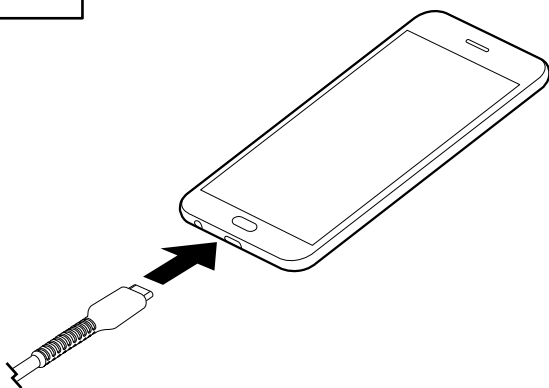


NOTE: CHARGING EXTERNAL DEVICES FROM YOUR SPEAKER WILL REDUCE PLAYBACK TIME.

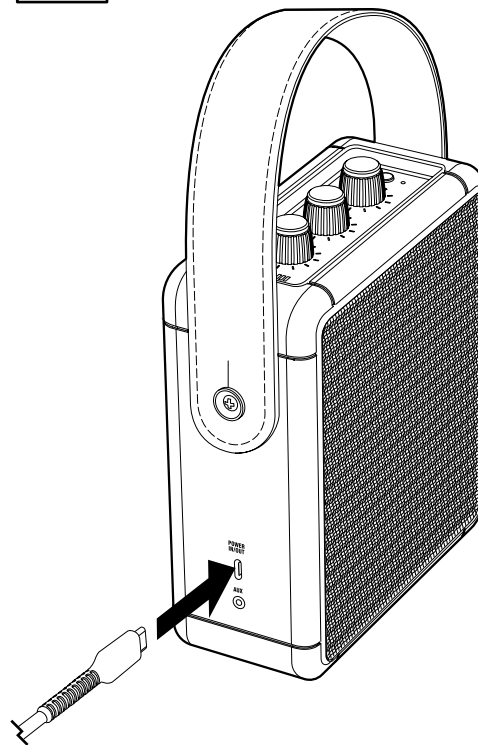
001.



003.



002.



PERFORMING A FACTORY RESET

A FACTORY RESET WILL RETURN THE SPEAKER TO ITS ORIGINAL SETTINGS, EXCLUDING ANY FIRMWARE UPDATES.

NOTE: THIS WILL DELETE ALL USER SETTINGS AND THE SPEAKER WILL NEED TO BE SET UP AGAIN.

001. ENSURE THAT THE SPEAKER IS ON.

002. PUSH AND HOLD THE BLUETOOTH BUTTON FOR 7 SECONDS. ALL INDICATORS TURN OFF AND THE SPEAKER RESTARTS.

003. REMOVE **STOCKWELL II FROM YOUR AUDIO DEVICE'S BLUETOOTH LIST BEFORE PAIRING AGAIN.**

TECHNICAL INFORMATION

ACOUSTIC SPECIFICATION

- **PORTABLE STEREO LOUDSPEAKER WITH BASS REFLEX SYSTEM**
- **DIGITAL CLASS D AMPLIFIERS:** 1 X 10 W + 2 X 5 W
- **2" FULL RANGE DRIVERS:** X 2
- **3" WOOFER:** 1X
- **BASS AND TREBLE TONE CONTROLS**
- **FREQUENCY RESPONSE:** 60–20,000 Hz \pm 6 dB
- **MAXIMUM SOUND PRESSURE LEVEL:** 80 dB SPL @ 1 m

CONNECTIVITY

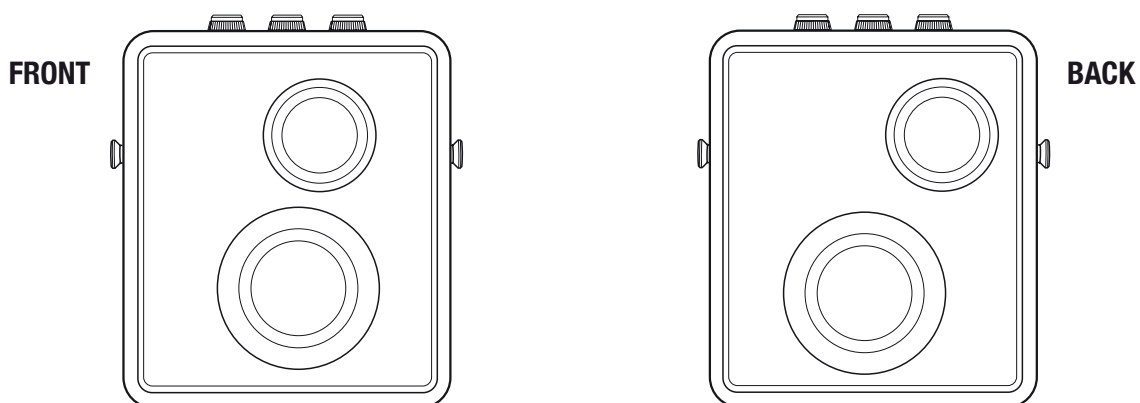
- **BLUETOOTH®:** Bluetooth 5.0
- **AUX:** 3.5 mm stereo jack

TECHNICAL INFORMATION

- **POWER INPUT:** 5-12 V USB-C
- **SIZE:** 179.5 X 161 X 70.1 mm
- **WEIGHT:** 1.38 kg

BATTERY

- **BATTERY TYPE:** Built-in, rechargeable Li-ion battery
- **PLAYTIME:** 20+ h
- **CHARGING TIME:** 2.5 h



NOTE: THIS ILLUSTRATION IS ONLY INTENDED TO SHOW THE INTERNAL SPEAKER LAYOUT. ATTEMPTING TO REMOVE THE FRONT OR REAR GRILLE WILL RESULT IN DAMAGE.

TROUBLESHOOTING


PROBLEM	CAUSE	ACTION
THE STOCKWELL II DOES NOT TURN ON.	The battery is discharged.	Connect the USB-C lead to the Stockwell II and a USB power adapter.
THERE IS NO AUDIO	The wrong audio source is selected.	Ensure that the device is connected to the Stockwell II. Check that no other connected device is playing.
	Volume is set too low on either the audio source or the speaker.	Slightly increase the volume on your audio source or the speaker.
CANNOT CONNECT OR PAIR WITH A Bluetooth DEVICE	Bluetooth is not enabled on your device (smartphone, tablet, computer).	Activate Bluetooth on your device.
	There are already two devices connected to the speaker.	Disconnect one of the connected Bluetooth devices before connecting to the speaker.
	The speaker is not in pairing mode.	Push and hold the Bluetooth button for 2 seconds to make the speaker discoverable by the device.
	Your device prompts you for a pin code.	In most cases, no pin code (password) is needed. If a pin code is requested, use the pin code 0000 .

TROUBLESHOOTING

PROBLEM	CAUSE	ACTION
<p>THE SPEAKER IS NOT RESPONDING</p>	<p>A software problem has occurred.</p>	<ol style="list-style-type: none"> 1. Turn the speaker off by turning the volume knob counter-clockwise until you hear a click. 2. Wait 15 seconds, then turn the speaker on again.
		<p>Push and hold the Bluetooth button for 7 seconds to reset the speaker to default settings.</p> <p>Note: After this reset the speaker will forget all Bluetooth pairings.</p>
<p>Bluetooth CONNECTION DROPS OUT</p>	<p>The Bluetooth device and the speaker are too far apart or the connection is affected due to obstacles.</p>	<p>Move the devices closer so that they are within 10 metres, and unobstructed by obstacles such as walls or doors.</p>
	<p>There is a strong electric field surrounding the Stockwell II.</p>	<p>Items such as microwave ovens, wireless network adapters, fluorescent lights and gas cookers use the same frequency range as the Bluetooth device. This may lead to electrical disturbances.</p>

TROUBLESHOOTING

PROBLEM	CAUSE	ACTION
THERE IS A CRACKLING SOUND	The amplifier is clipping as it has run out of output power.	Decrease the volume on your audio source.
		Decrease the volume or bass on the Stockwell II.
THE AUDIO IS DISTORTED	Volume is set too high on the audio source.	Decrease the playback volume on the audio source.
	The audio stream or audio file is of poor quality.	Try another audio file or music player.
	Volume is set too high on the Stockwell II.	Decrease the volume on the speaker.
	Too much bass/treble on the speaker.	Decrease the bass/treble on the speaker.
ERRATIC PERFORMANCE	Interference from another electronic device.	Move the Stockwell II to another spot.
		Turn off or move the interfering electronic device.



NOTES:

A Bluetooth DEVICE COULD CAUSE AUDIO-RELATED OR TECHNICAL FAULTS, DEPENDING ON USE, IN THE FOLLOWING CASES:

- **WHEN SOME PART OF THE BODY IS IN CONTACT WITH THE RECEIVING/TRANSMITTING SYSTEM FOR THE Bluetooth DEVICE OR THE STOCKWELL II.**
- **ELECTRICAL VARIATIONS DUE TO OBSTACLES IN THE FORM OF WALLS, CORNERS, ETC.**
- **EXPOSURE TO ELECTRICAL DISRUPTIONS FROM DEVICES WITHIN THE SAME FREQUENCY BAND, FOR EXAMPLE MEDICAL EQUIPMENT, MICROWAVE OVENS AND WIRELESS NETWORKS.**

THIS WIRELESS DEVICE MAY CAUSE ELECTRICAL DISRUPTIONS DURING USE.

WWW.MARSHALLHEADPHONES.COM